



Thank you for purchasing the **Heavy-Duty King Pin Tripod (PN 19-950001)**. It was a wise purchase, and we are sure it will provide you with many years of service.

### Assembly Instructions

Most of the assembly has been completed for you, however you will need to attach the footpads (clip assembly provided) and chain.

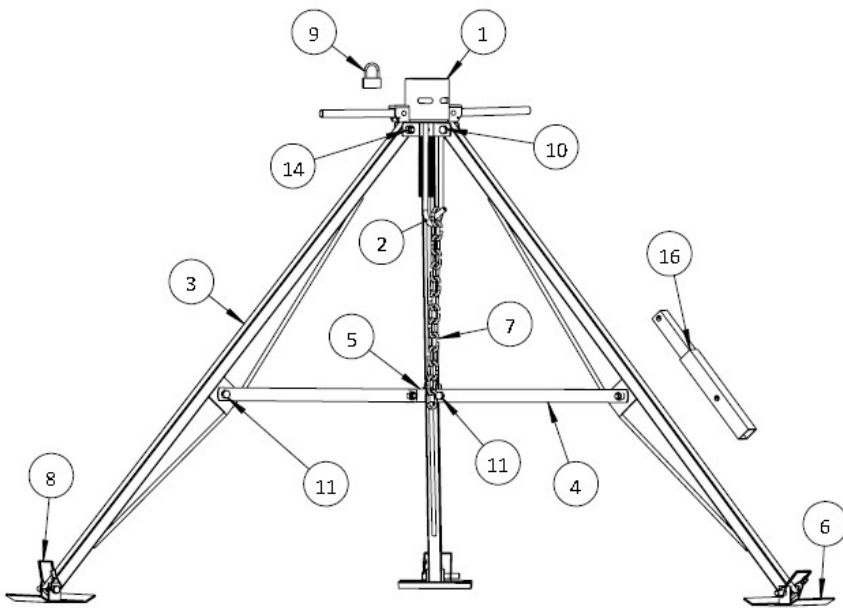
### How to Use

#### To use your tripod:

- 1) Hold the chain (7) in one hand, and position the tripod below the king pin of your coach.
- 2) Pull the chain and lift the cup (1) up over the king pin.
- 3) Hook the chain link over the pin welded to the leg bracket (2).
- 4) Turn the handle of the cup counter clockwise until the cup is snug against the king pin.
- 5) Two or three additional turns are normally sufficient for stabilization.
- 6) Your tripod is adjustable from 42" to 50".
- 7) Your tripod will support up to 5,000 pounds.

#### To lock:

- 1) Place the lock (9) through the two holes in cup and lock. The neck of the lock has enough interference in the cup so that the king pin cannot be removed. **Your tripod is now stable and secure.**



ILLUS. #	PART #	DESCRIPTION	QTY REQ
1	19-001056	KING PIN CUP ASSEMBLY	1
2	19-001055	LEG BRACKET	1
3	19-001071	LEG	3
4	19-001072	ARM	3
5	19-001053	CONNECTING BRACKET	1
6	19-001073	FOOTPAD	3
7	19-001005	CHAIN	1
8	38-141023	CLIP ASSEMBLY	3
9	19-001022	PADLOCK	1
10	19-001020	BOLT- 3/8-16 x 2" HEX	3
11	19-001018	BOLT- 3/8-16 x 1" HEX	6
14	38-020090	NUT- 3/8-16 NYLOCK	9
16	19-950002	EXTENSIONS-8" (OPTIONAL)	3

### **The tripod is not a jack!**

It is NOT made to support the weight of the trailer. It is a stabilizer designed to reduce or eliminate the vibrations and motion that travels through the frame.