



Thank you for purchasing the **Economy King Pin Tripod (PN 19-950500)**. It was a wise purchase, and we are sure it will provide you with many years of service.

Assembly Instructions

Most of the assembly has been completed for you, however you will need to attach the footpads (clip assembly provided) and chain.

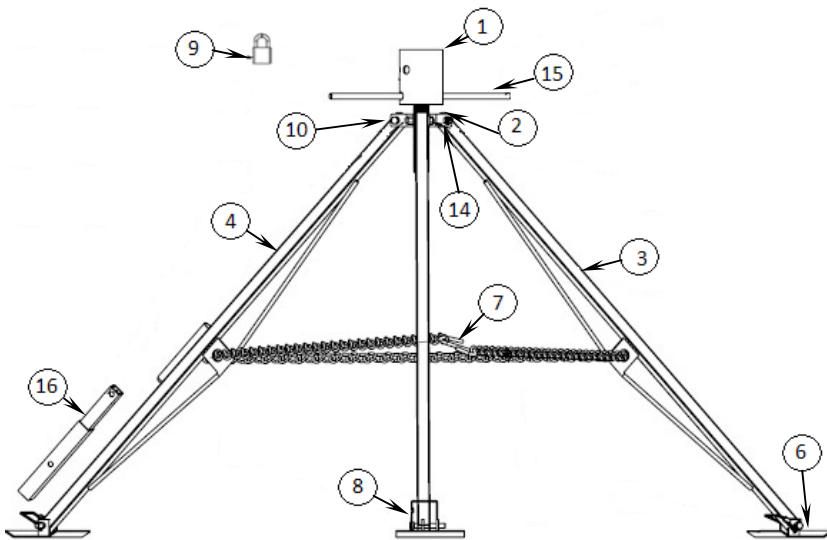
How to Use

To use your tripod:

- 1) Run the chain (7) through all three leg brackets as pictured below.
- 2) Keep the chain loose and position the tripod below the king pin of your coach.
- 3) Lift the cup (1) up over the king pin.
- 4) Tighten and hook the chain to itself.
- 5) Turn the handle of the cup counter clockwise until the cup is snug against the king pin.
- 6) Two or three additional turns are normally sufficient for stabilization.
- 7) Your tripod is adjustable from 35" to 55".
- 8) Your tripod will support up to 5,000 pounds.

To lock:

- 1) Place the lock (9) through the two holes in cup and lock. The neck of the lock has enough interference in the cup so that the king pin cannot be removed. **Your tripod is now stable and secure.**



ILLUS. #	PART #	DESCRIPTION	QTY REQ
1	19-001081	KING PIN CUP ASSEMBLY	1
2	19-001082	LEG BRACKET	1
3	19-001083	LEG	2
4	19-001084	LEG WITH ROD HOLDER	1
6	19-001073	FOOTPAD	3
7	19-001005	CHAIN WITH S-HOOK	1
8	38-141023	CLIP ASSEMBLY	3
9	19-001022	PADLOCK	1
10	19-001020	BOLT- 3/8-16 x 2" HEX	3
14	38-020090	NUT- 3/8-16 NYLOCK	3
15	16-001007	ROD-CUP ADJUSTING	1
16	19-950002	EXTENSIONS-8" (OPTIONAL)	3



The tripod is not a jack!

It is NOT made to support the weight of the trailer. It is a stabilizer designed to reduce or eliminate the vibrations and motion that travels through the frame.