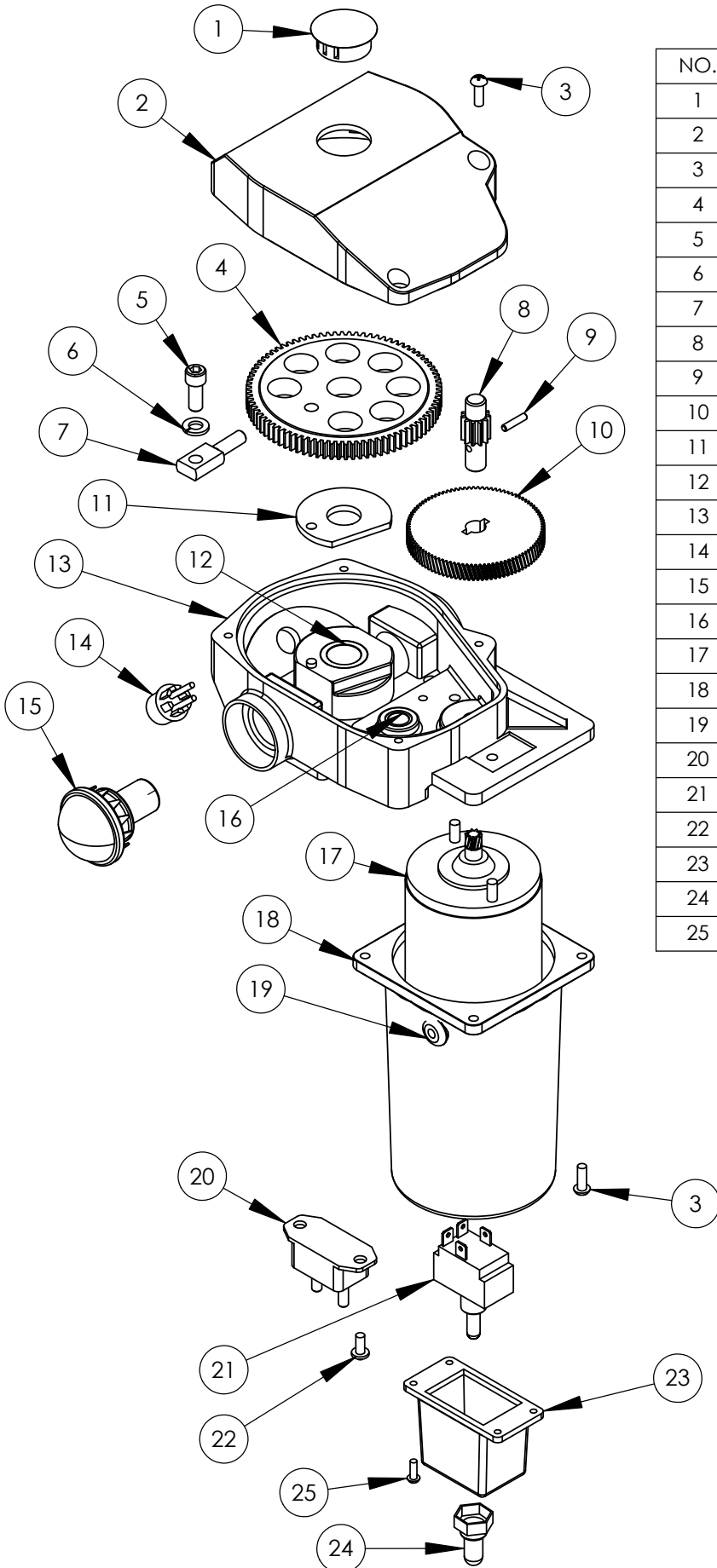


# MOTOR EXPLODED VIEW 3502



NO.	QTY.	PART #	DESCRIPTION
1	1	38-001017	CAP-PLUG
2	1	38-741532	COVER-HOUSING
3	8	38-113348	SCREW-#8-32 X 1/2"
4	1	38-741465	GEAR-MAIN DRIVE
5	1	38-113632	SCREW-1/4 X 5/8 SCKT HD.
6	1	38-113550	WASHER-1/4" LOCK
7	1	38-741458	PIN-HEADED
8	1	38-743080	GEAR-PINION
9	1	17-741004	CLUTCH PIN
10	1	38-743124	GEAR-SPUR
11	1	38-743081	WASHER-THRUST
12	2	38-113622	BUSHING-5/8 ID. X 7/8 OD.
13	1	38-741531	HOUSING-MAIN GEAR
14	1	38-100011.001	SWITCH-ROTARY
15	2	38-101102	LIGHT-SHIELDED UTILITY
16	1	38-143336	BUSHING-3/8 ID. X 1/2 OD.
17	1	17-840016.001	MOTOR-12 VOLT
18	1	38-741530	HOUSING-MOTOR
19	1	38-143332	GROMMET
20	1	38-101283	BREAKER-CIRCUIT
21	1	17-101011	SWITCH-12 VOLT
22	2	38-113349	SCREW-#8 X 3/8
23	1	38-741529	HOUSING-SWITCH
24	1	17-143097	BOOT SNAP SEAL
25	4	38-114449	SCREW-#5-40 X 3/8

NOTE: NOT SHOWN  
 38-001016 MANUAL CRANK  
 17-101265 FUSE HOLDER  
 17-101066 FUSE 30 AMP SLOW BLOW

# 3502 LOWER STEM

NO.	QTY.	PART #	DESCRIPTION
1	2	38-751003	WASHER-.06 THICKNESS
2	1	38-751002	THRUST NEEDLE BEARING
3	1	38-751028	COLLAR-DRIVE
4	1	38-751006	PIN-UPPER
5	2	38-751138	PIN-COTTER
6	8	38-751013	DISC-SPRING 20MM
7	4	38-751001	WASHER-20MM ID 37MM OD
8	1	38-751029	NUT-BRONZE
9	1	38-751027	JACKSCREW
10	1	38-751005	PIN-LOWER JACKSCREW
11	1	38-751050	TUBE-INNER
12	1	38-751011	SCREW-M8-1.25 X 10MM SET
13	1	38-751051	TUBE-OUTER
14	4	38-751009	WASHER-9MM LOCK
15	4	38-751014	SCREW-M8-1.25 X 25MM SCKT HD
16	1	38-751052	FOOTPAD
17	1	38-751017	PIN-LOCK 2 1/2"

38-842000 - LOWER STEM ASSEMBLY  
(INCLUDES ITEMS 1 THRU 12)

38-842001 - LOWER STEM ASSEMBLY  
(INCLUDES ITEMS 1 THRU 13)

