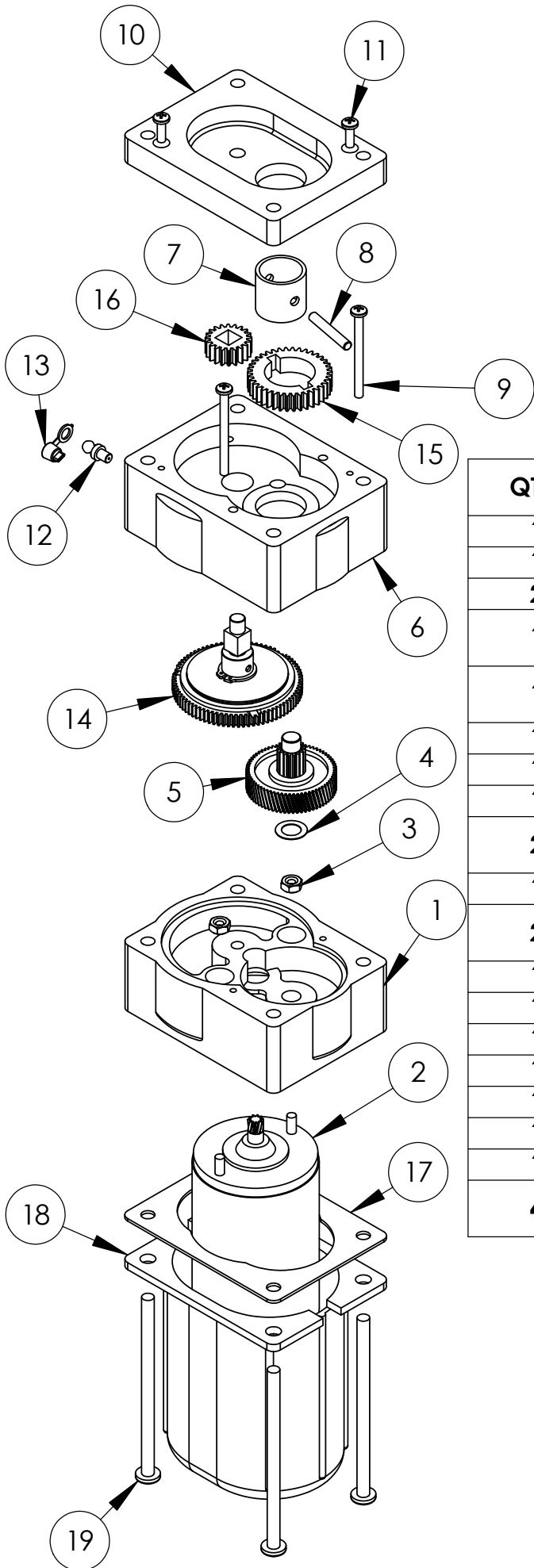


# POWERTWIN II

## MOTOR ASSEMBLY EXPLODED VIEW



QTY.	ITEM NO.	PART NUMBER	DESCRIPTION
1	1	17-741069	HOUSING-MOTOR
1	2	17-840016.001	MOTOR-12 VOLT
2	3	17-113303	NUT-#10 KEP
1	4	17-141010.008	WASHER-3/8" X .015
1	5	17-840028	NYLON GEAR ASSEMBLY
1	6	17-741032	HOUSING-CLUTCH
1	7	17-741023	SLEEVE-DRIVE
1	8	17-741021	PIN-DRIVE
2	9	17-Y-12925	SCREW-#8 X 2"
1	10	17-741042	PLATE-HOUSING
2	11	17-Y-12926	SCREW-#8 X 1/2"
1	12	17-143230	FITTING-GREASE
1	13	17-143231	CAP-GREASE
1	14	39-840006.003	CLUTCH ASSEMBLY
1	15	39-741413	GEAR-DRIVE
1	16	39-741414	GEAR-PINION
1	17	17-141008.003	GASKET
1	18	39-741622	COVER-MOTOR
4	19	17-113369	SCREW-1/4-20 X 4.25" HEX

Alt #19 39-113369 6m-1.0x110mm screw

**39-840009 COMPLETE MOTOR GEAR  
ASSEMBLY  
INCLUDES PARTS 1-16**