

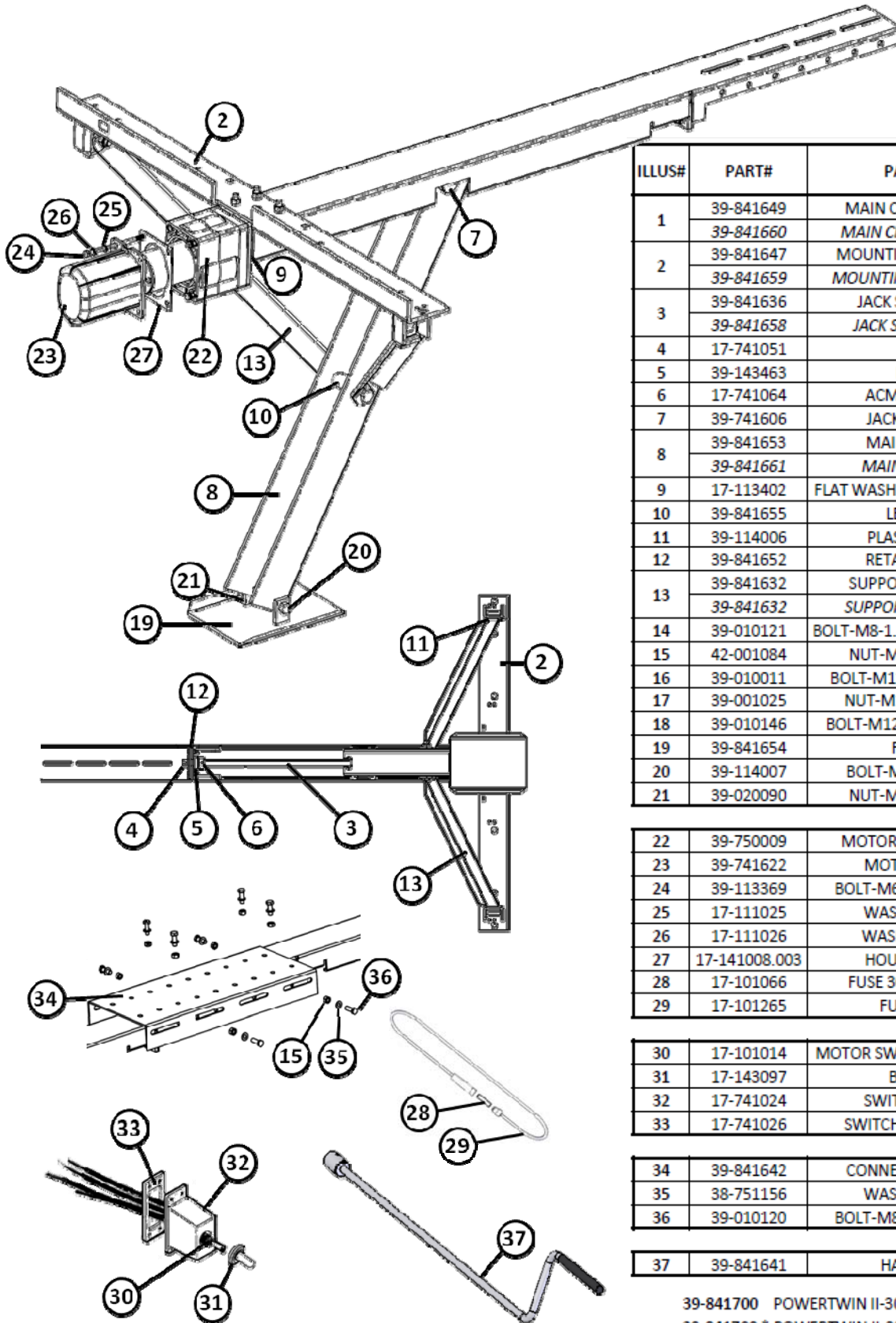


Ultra-Fab Products, Inc.
57985 State Road 19, South
Elkhart, Indiana 46517

ULTRA POWER TWIN II-30
ULTRA POWER TWIN II-22

P/N 39-941705
P/N 39-941707

REV 12/2013



ILLUS#	PART#	PART NAME	TOTAL QTY REQ
1	39-841649	MAIN CHANNEL PTII-30	2
	39-841660	MAIN CHANNEL PTII-22*	2
2	39-841647	MOUNTING PLATE PTII-30	2
	39-841659	MOUNTING PLATE PTII-22*	2
3	39-841636	JACK SCREW PTII-30	2
	39-841658	JACK SCREW PTII-22*	2
4	17-741051	COLLAR	4
5	39-143463	BEARING	2
6	17-741064	ACME SCREW PIN	4
7	39-741606	JACK SCREW NUT	2
8	39-841653	MAIN LEG PTII-30	2
	39-841661	MAIN LEG PTII-22*	2
9	17-113402	FLAT WASHER 13/16 ID x 1.5 OD	4
10	39-841655	LEG SPACER	2
11	39-114006	PLASTIC WASHER	8
12	39-841652	RETAINING PLATE	2
13	39-841632	SUPPORT ARM PTII-30	4
	39-841632	SUPPORT ARM PTII-22*	4
14	39-010121	BOLT-M8-1.25x25mm CARRIAGE	8
15	42-001084	NUT-M8x1.25 NYLOCK	16
16	39-010011	BOLT-M12-1.75x30mm HEX	4
17	39-001025	NUT-M12x1.75 NYLOCK	6
18	39-010146	BOLT-M12-1.75x100mm HEX	2
19	39-841654	FOOT PAD	2
20	39-114007	BOLT-M10-1.5x100mm	2
21	39-020090	NUT-M10x1.5 NYLOCK	2

22	39-750009	MOTOR/GEAR BOX ASSY	2
23	39-741622	MOTOR HOUSING	2
24	39-113369	BOLT-M6-1.0x110mm HEX	8
25	17-111025	WASHER-M6 FLAT	8
26	17-111026	WASHER-M6 LOCK	8
27	17-141008.003	HOUSING GASKET	2
28	17-101066	FUSE 30A SLOW BLOW	2
29	17-101265	FUSE HOLDER	2

30	17-101014	MOTOR SWITCH W WIRE LEADS	2
31	17-143097	BOOT SEAL	2
32	17-741024	SWITCH HOUSING	2
33	17-741026	SWITCH COVER GASKET	2

34	39-841642	CONNECTING BRACKET	1
35	38-751156	WASHER-M8 FLAT	8
36	39-010120	BOLT-M8-1.25x25mm HEX	8

37	39-841641	HAND CRANK	1
----	-----------	------------	---

39-841700 POWERTWIN II-30 LEG ASSEMBLY (ONLY)
39-841709 * POWERTWIN II-22 LEG ASSEMBLY (ONLY)
(#1-21 above - one side - 2 required to make the set)
*these parts are specific to the PTII-22